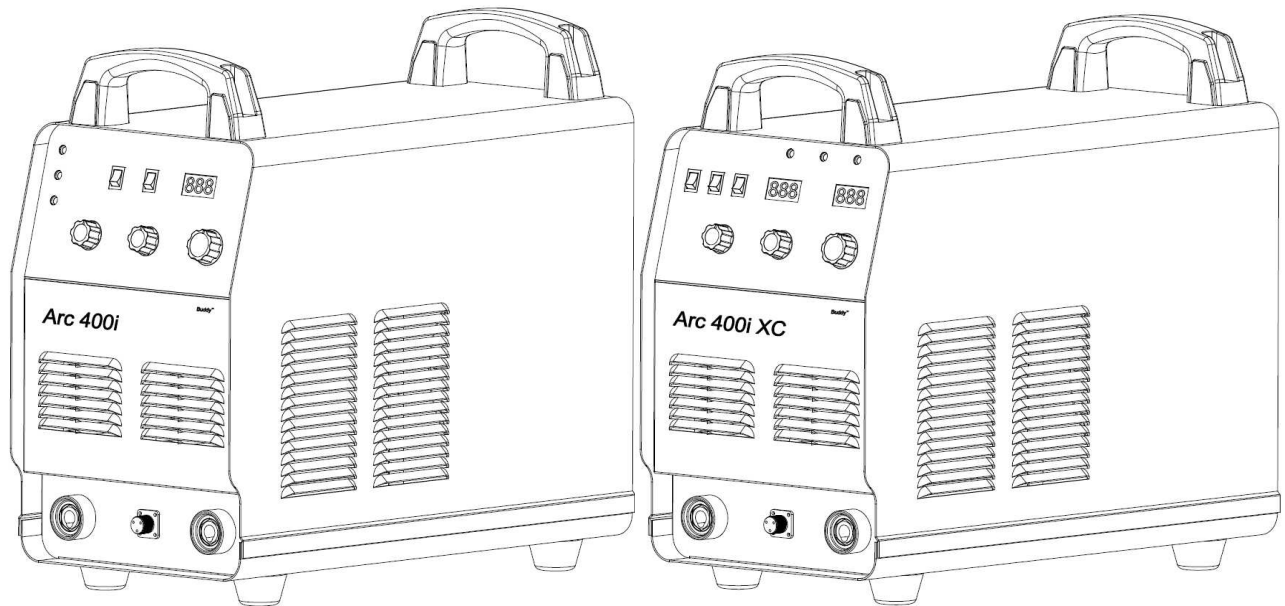


**Spare parts list**

Edition 20120508



Valid for serial no. 203-xxx-xxx, 204-xxx-xxx,

Ordering no.	Product
0700 300 900	Buddy™ Arc 400i
0700 300 901	Buddy™ Arc 400i XC

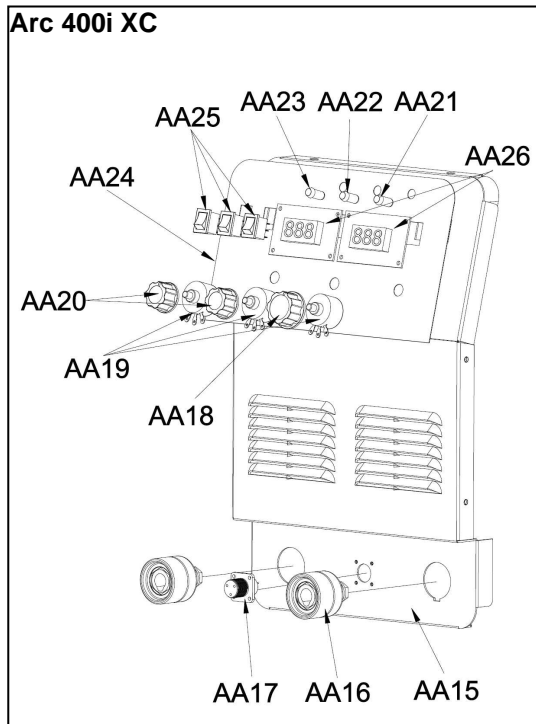
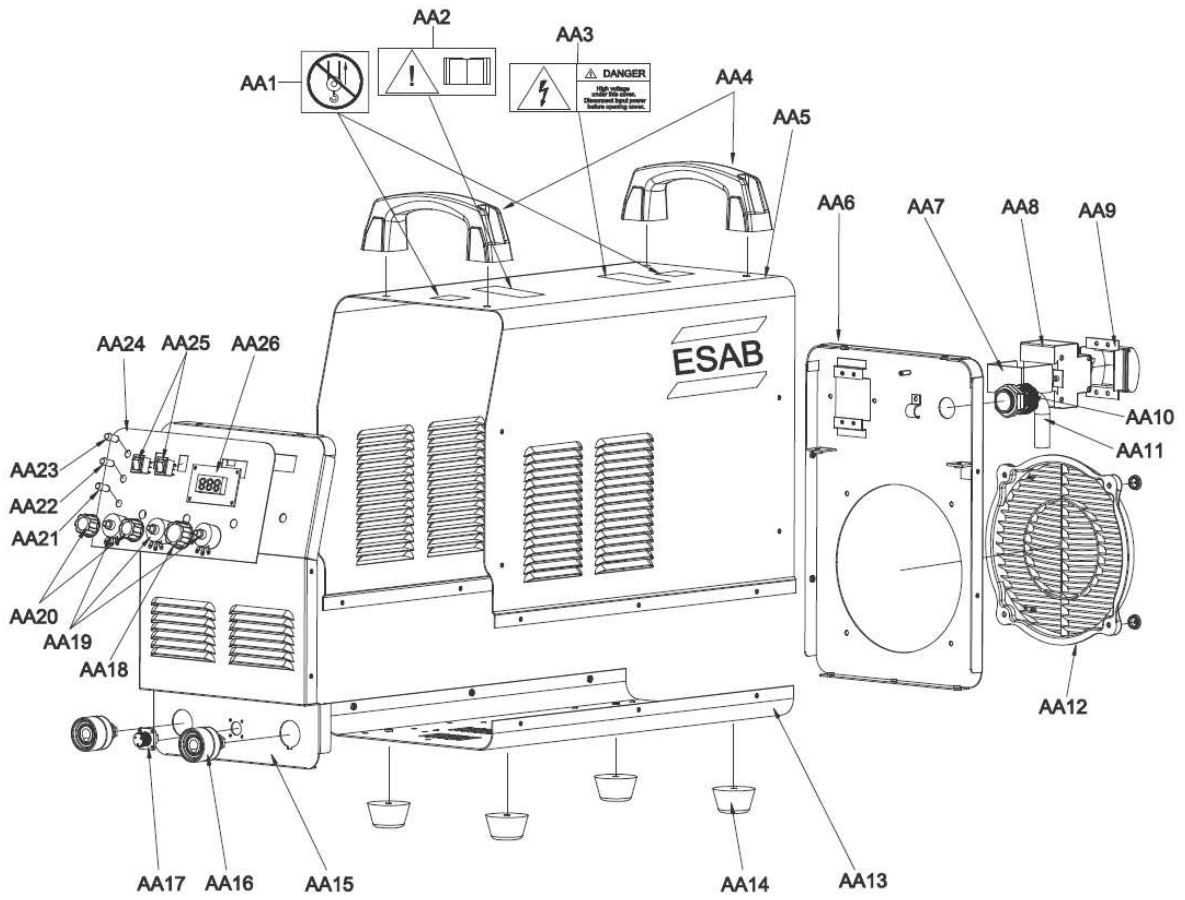
Spare parts are to be ordered through the nearest ESAB agency. Kindly indicate type of unit, serial number, denominations and ordering numbers according to the spare parts list.

Maintenance and repair work should be performed by an experienced person, and electrical work only by a trained electrician. Use only recommended spare parts.

## Arc 400i & Arc 400i XC

Item	Qty 400i	Qty 400i XC	Ordering no.	Denomination	Notes
AA1	2	2	0700 300 977	Sign	No mechanized lifting
AA2	1	1	0700 300 978	Sign	Read Instruction manual
AA3	1	1	0700 300 979	Sign	High voltage warning
AA4	2	2	0700 300 916	Handle	with screws
AA5	1	1	0700 300 917	Machine cover	with ESAB logo
AA6	1	1	0700 300 918	Rear panel	
AA7	1	1	0700 300 919	Main switch bracket	
AA8	1	1	0700 300 920	Main switch	
AA9	1	1	0700 300 921	Main switch cover	
AA10	1	1	0700 300 922	Cable guard	
AA11	1	1	0700 300 923	Mains cable, 3m	4 G 4
AA12	1	1	0700 300 924	Fan cover	with screws
	1	1	0700 300 925	Bottom tray	
AA13	4	4	0700 300 926	Rubber foot	with screw
AA14	1	-	0700 300 927	Front panel (for 400i)	with model name
AA15	-	1	0700 300 928	Front panel (for 400i XC)	with model name
AA16	2	2	0700 300 929	Output terminal	
AA17	1	1	0700 300 930	Remote control socket	
AA18	1	1	0700 300 931	Knob (big)	current control
AA19	3	3	0700 300 932	Potentiometer	
AA20	2	2	0700 300 933	Knob (small)	arc force and hot start
AA21	1	1	0700 300 934	Fault indicating LED	yellow
AA22	1	1	0700 300 935	Power indicating LED	white
AA23	1	1	0700 300 936	VRD indicating LED	green
AA24	1	-	0700 300 937	Front plate (for 400i)	with labels
	-	1	0700 300 938	Front plate (for 400i XC)	with labels
AA25	2	3	0700 300 939	Switch	
AA26	1	2	0700 300 940	Digital meter	
AA27	1	1	0700 300 941	Screws, machine cover	14pcs per pack (not shown in picture)

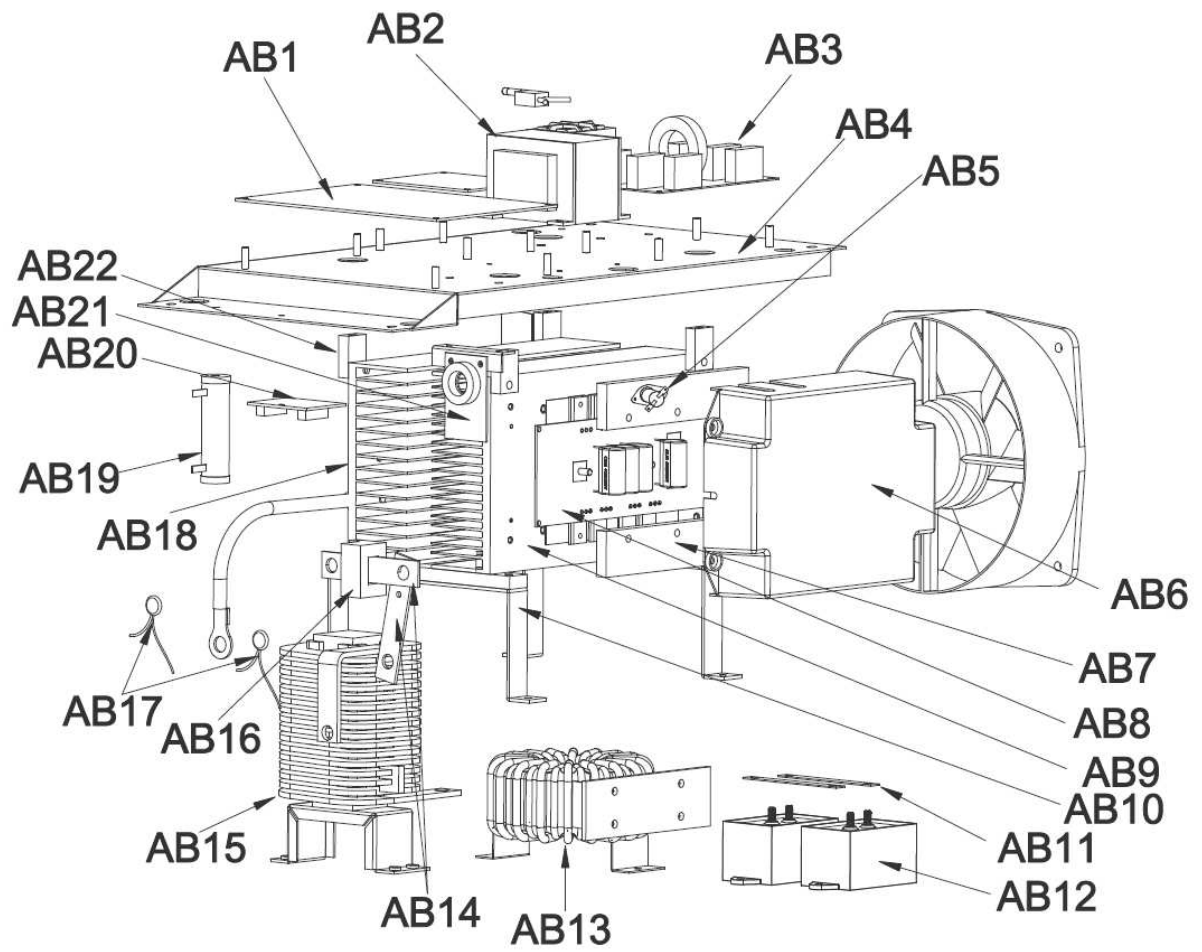
# Arc 400i & Arc 400i XC



## Arc 400i & Arc 400i XC

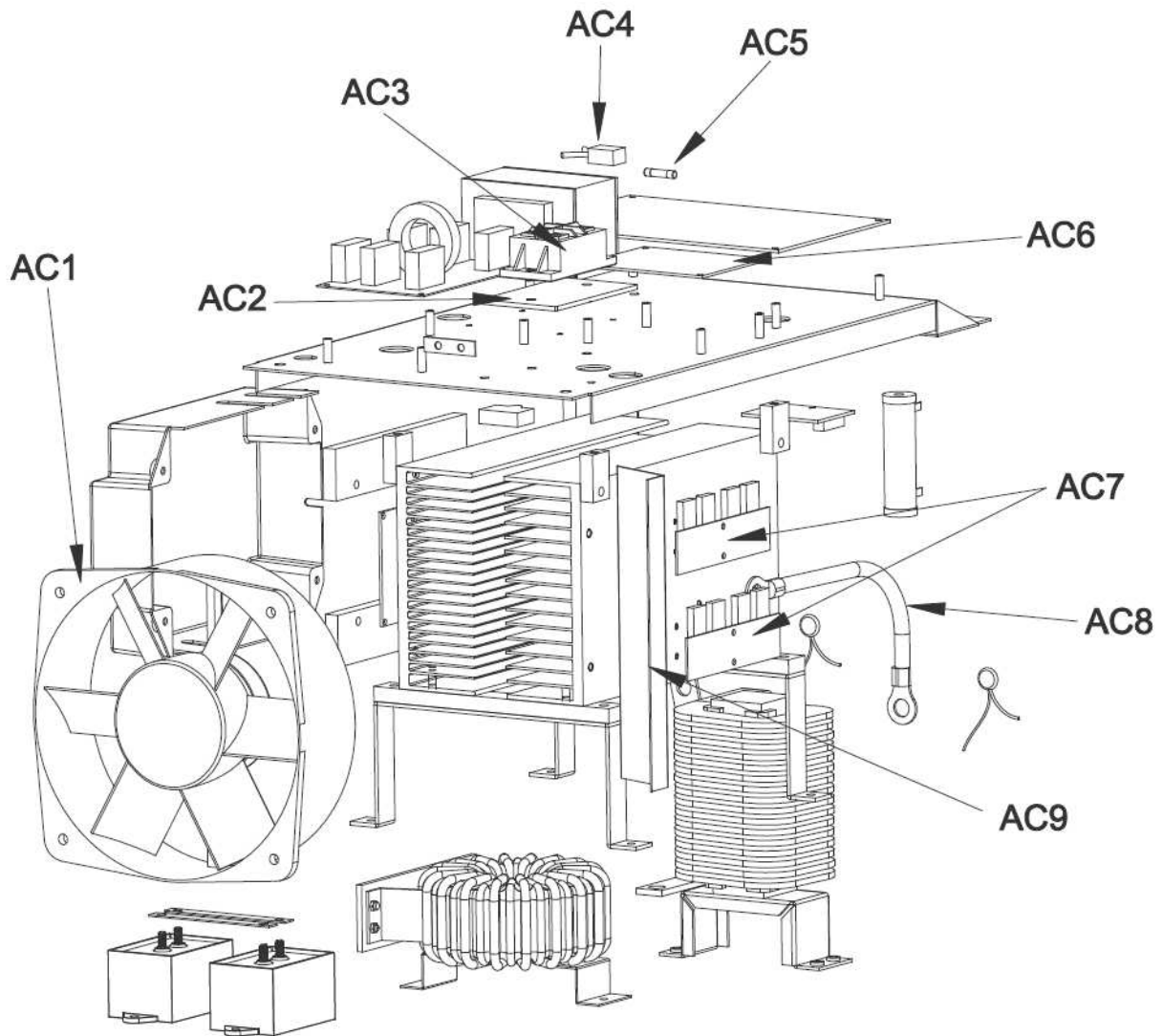
Item	Qty 400i	Qty 400i XC	Ordering no.	Denomination	Notes
AB1	1	1	0700 300 942	Main control board	
AB2	1	1	0700 300 943	Control transformer	
AB3	1	1	0700 300 944	EMC filter board	
AB4	1	1	0700 300 945	Middle tray	with board supports
AB5	1	1	0700 300 946	Thermistor	with connecting wires
AB6	1	1	0700 300 948	Dust cover	with screws
AB7	2	2	0700 300 949	Transistor clamp	
AB8	1	1	0700 300 950	Power PCB	with insulation paper & sheets
AB9	1	1	0700 300 951	Heat-sink, primary	
AB10	2	2	0700 300 952	Heat-sink support	with insulating board
AB11	2	2	0700 300 953	Bus-bar, capacitor	
AB12	2	2	0700 300 954	Capacitor	
AB13	1	-	0700 300 955	Main transformer (for 400i)	with mounting base & ferrites
	-	1	0700 300 956	Main transformer (for 400i XC)	with mounting base & ferrites
AB14	2	2	0700 300 957	Bus-bar, output terminal	
AB15	1	-	0700 300 958	Inductor (for 400i)	
	-	1	0700 300 959	Inductor (for 400i XC)	
AB16	1	1	0700 300 960	Hall sensor	with wires
AB17	2	2	0700 300 961	Snubber, output terminal	
AB18	1	1	0700 300 962	Heat-sink, secondary	
AB19	1	1	0700 300 963	Resistor, output terminal	
AB20	1	1	0700 300 964	Output filter board	
AB21	1	1	0700 300 965	Power sensing board	
AB22	4	4	0700 300 966	Insulation block	for heat-sink mounting

**Arc 400i & Arc 400i XC**

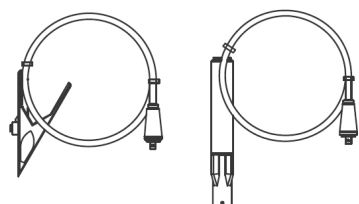


## Arc 400i & Arc 400i XC

Item	Qty 400i	Qty 400i XC	Ordering no.	Denomination	Notes
AC1	1	-	0700 300 967	Fan with capacitor (for 400i)	for fan & PCBs
	-	1	0700 300 968	Fan with capacitor (for 400i XC)	
AC2	1	1	0700 300 969	Heat-sink, bridge rectifier	
AC3	1	1	0700 300 970	Bridge rectifier	
AC4	1	1	0700 300 971	Varistor	
AC5	1	1	0700 300 972	Fuse, 5A, fast blown, 250V	
AC6	1	1	0700 300 973	Mains protection board	
AC7	2	2	0700 300 974	Secondary diode board	
AC8	1	1	0700 300 975	Output cable	
AC9	1	1	0700 300 976	Plastic board	for fan



**Accessories**

	<p><b>MMA Kit</b> . . . . . 0700 300 910 Return cable with clamp 3 m 50 mm<sup>2</sup> Welding cable with electrode holder 5 m 50 mm<sup>2</sup></p>
-----------------------------------------------------------------------------------	----------------------------------------------------------------------------------------------------------------------------------------------------------------------

	<p><b>Remote Control, 10m</b> . . . . . 0700 300 911</p>
-----------------------------------------------------------------------------------	----------------------------------------------------------

**Arc 400i & Arc 400i XC**